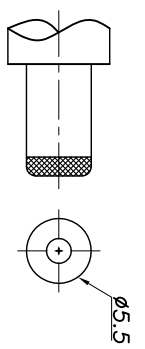
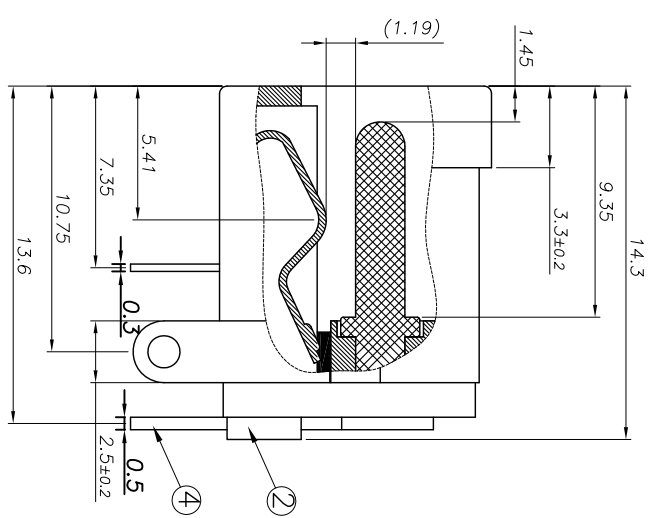
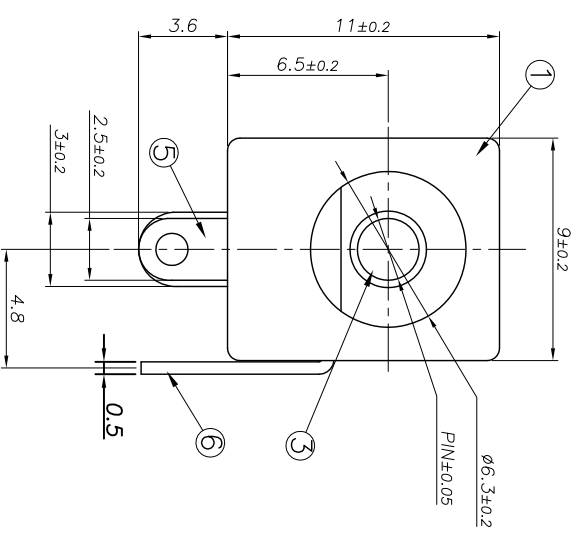


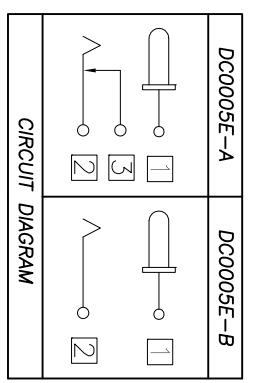
REV.	QTY	ECN. NO.	REASON&CONTENTS	SIGN	DATE
01			Add center pin diameter	WANGYAN	2010.07.22
02			Update drawing	梅泽勇	2011.07.14

Ordering information:  
 DC 0 0 0 5 E - □ □ □ □

- (1) (2) (3) (4)
- (1):Series No.
- (2):Schematic option: A、B
- (3):Center pin diameter:  
 AG=01.65，H=02.0，J=02.35，I=02.5
- (4):Housing color:  
 0A=Black，4H=Yellow(0039)，5I=Green(0274)，  
 5P=Green(0116)，6B=Blue(0037)，8A=Gray(0292)，  
 8G=Gray(0228)，9A=White(0100)

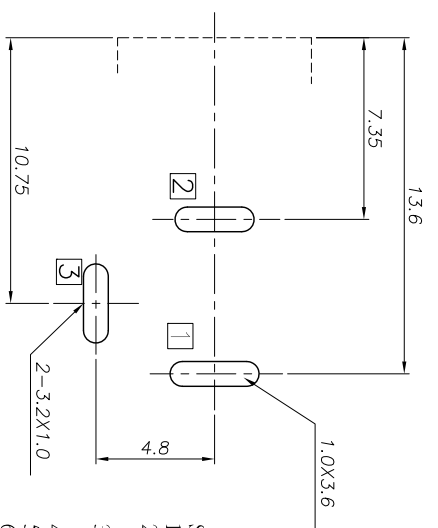


DC MATE PLUG



□ : TERMINAL NO.

Model No.	DC00005E-G	DC00005E-H	DC00005E-I	DC00005E-J
PIN	Ø1.65	Ø2.0	Ø2.35	Ø2.5



- Specification:
- 1.Rating : DC 20V 4A.
  - 2.Contact resistance : ≤30mΩ.
  - 3.Insulation resistance : ≥100MΩ (500VDC), After test: ≥50MΩ.
  - 4.Withstanding voltage : 500VAC.
  - 5.Insertion and extraction force : 3N~30N.
  - 6.Life test : 5000 cycles min.
  - 7.Operation temperature range:-20℃~70℃.
  - 8.Preservative temperature range:-40℃~85℃.

RECOMMENDED P.C.B. LAYOUT  
 UNSPECIFIED TOLERANCE: ±0.05  
 (TOP VIEW)

NO.	DESCRIPTION	QTY	MATERIAL	PART NO.	REMARK
⑥	Shunt terminal	1	Copper alloy	DC00015D-03(WP-DC0018)	Tin plating
⑤	Tip spring	1	Copper alloy	DC00005E-02(RP-DC0022)	Tin plating
④	Center pin terminal	1	Copper alloy	DC00005E-01(PH-DC0015)	Tin plating
③	Center pin	1	Copper alloy	DC00050-996/H/1/1	CuSn/Nickel plating
②	Cover	1	Thermoplastic	DC00050-S2(GZ-DC0002)	
①	Housing	1	Thermoplastic	DC00050-S1(ST-DC0002)	

UNIT:MM	TOLERANCE		TYPE:	MODEL NO:	DRAWING TYPE:
	DIMENSIONS	ANGLES			
DC POWER JACK	X ±0.50	X ±8.0°	DC00005E-0000		
	XX ±0.30	X ±1.5°	BSCR-0000-0004		
	XXX±0.15	.XX ±11.0°			

DESIGNER BY:	MYT	2011.09.14	承永實業有限公司 BLUE SOURCES ELECTRONICS CO.,LTD.
CHECK BY:	Ocean	2011.09.14	
APPROVED BY:	Jiguoguang	2011.09.14	

THIS DOCUMENT IS THE  
 SOLE PROPERTY OF *BS&S*  
 ELECTRONICS CO., LTD.  
 AND SHOULD NOT BE  
 USED IN WHOLE OR IN  
 PART WITHOUT PRIOR  
 WRITTEN PERMISSION.